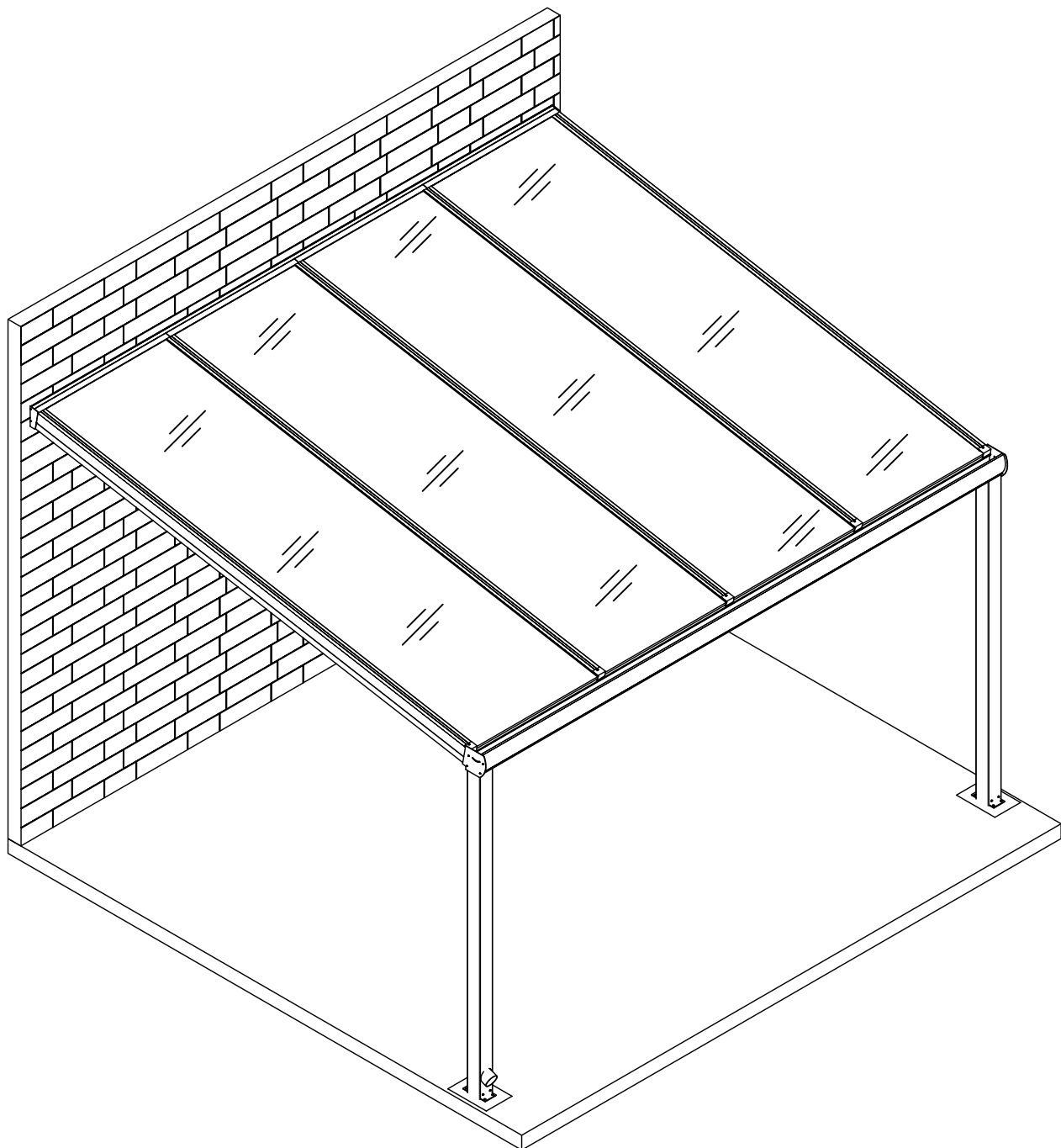
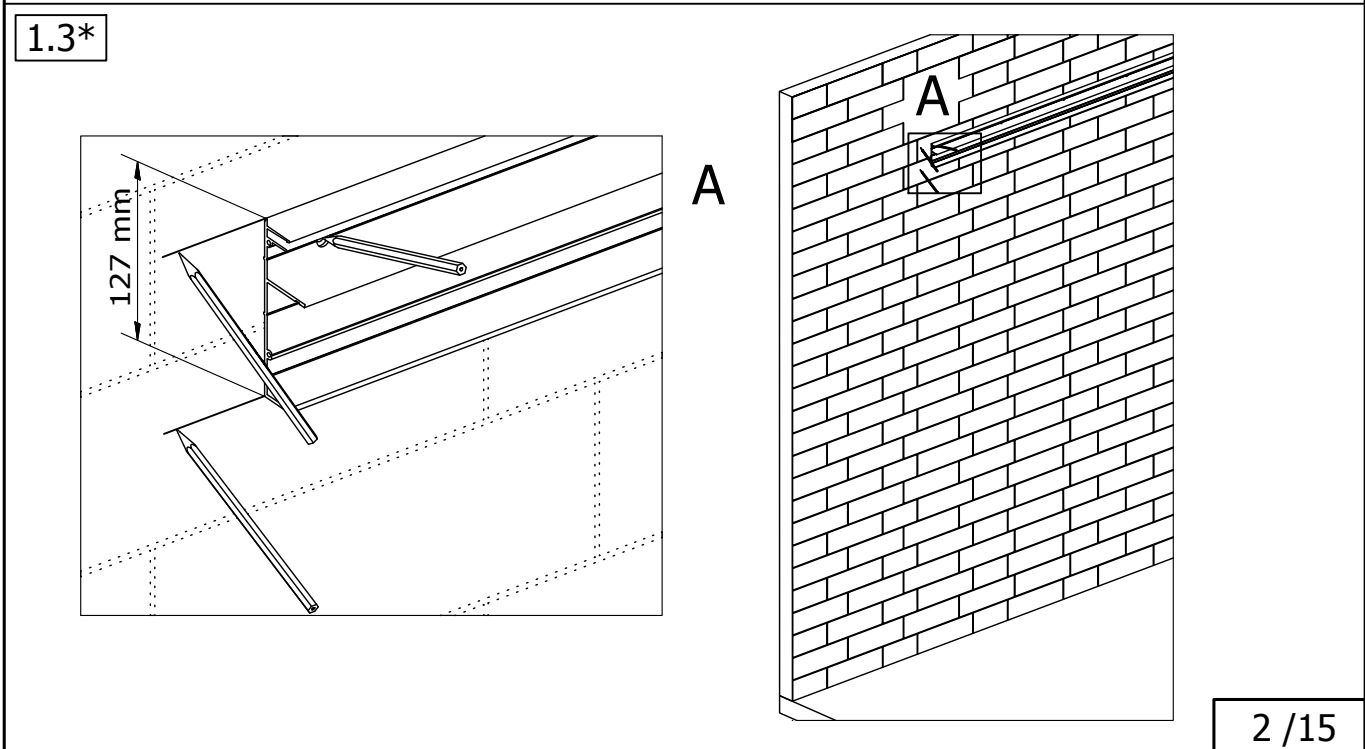
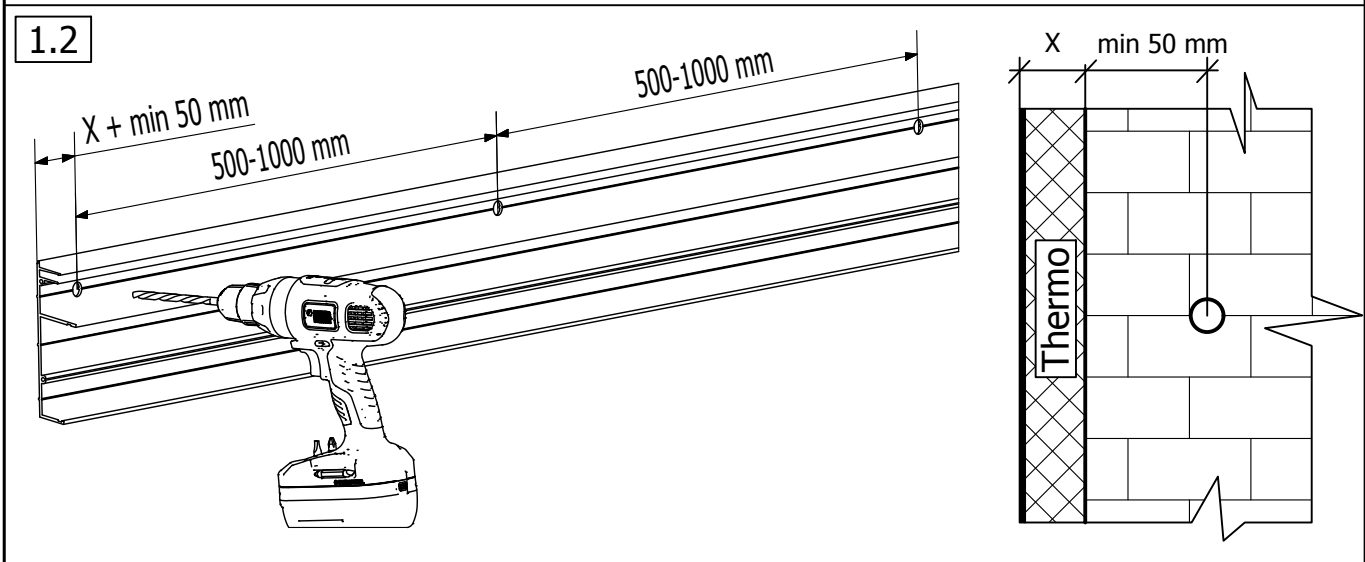
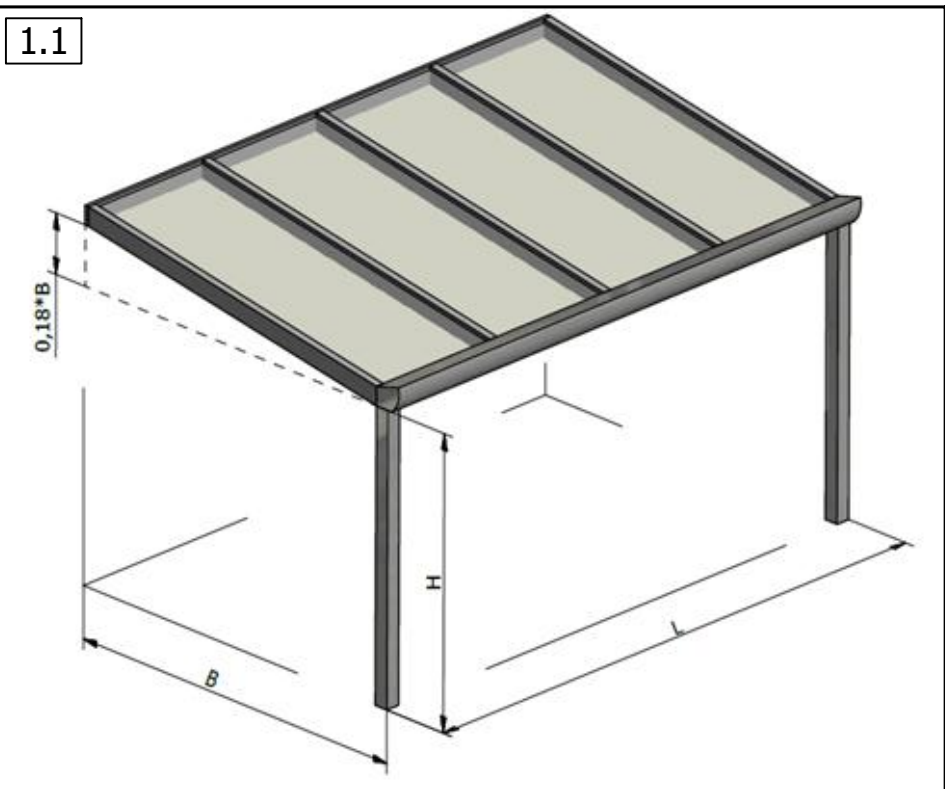
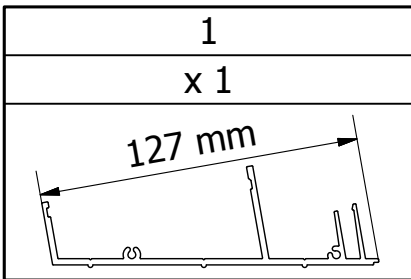
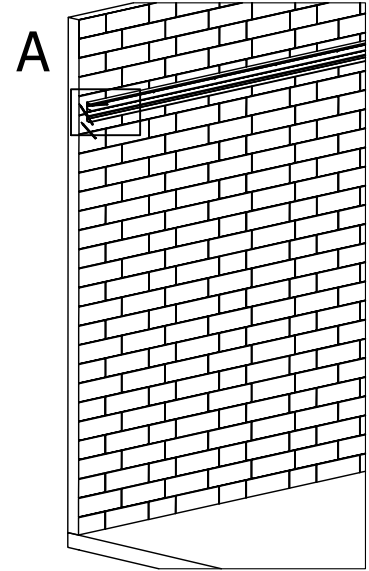
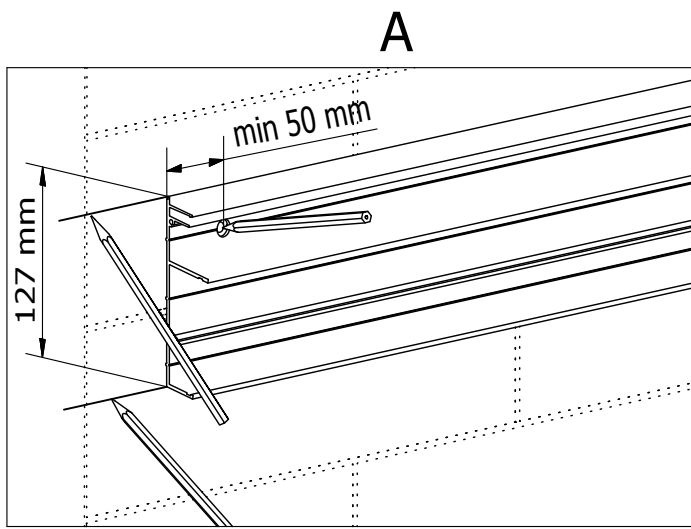


# REGIUM

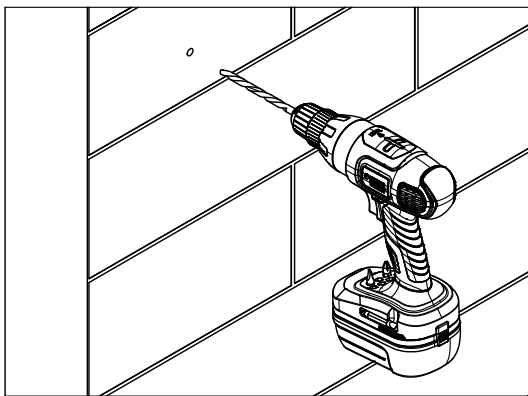




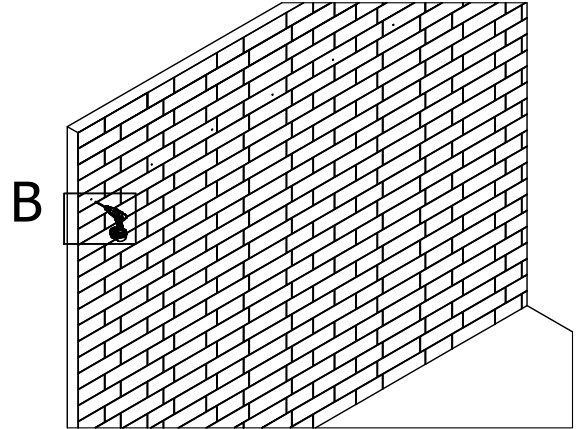
1.3



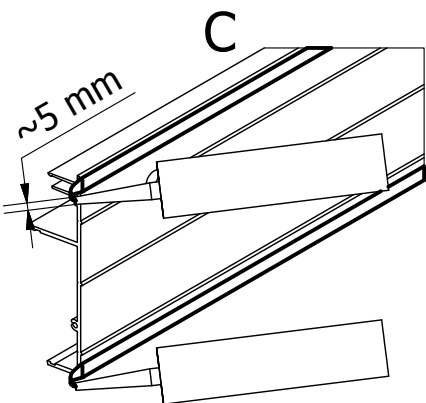
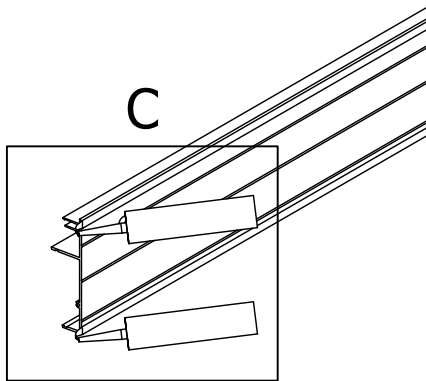
1.4



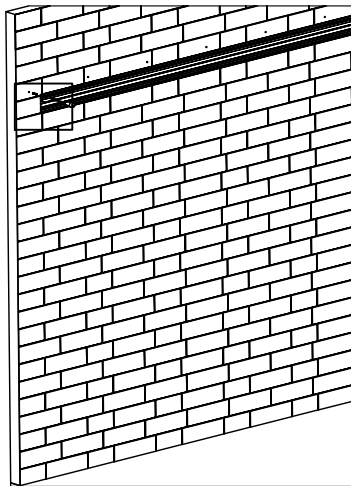
B



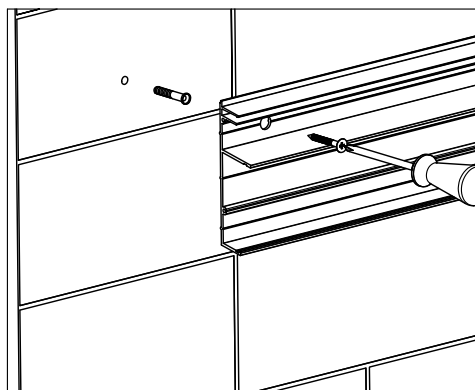
1.5



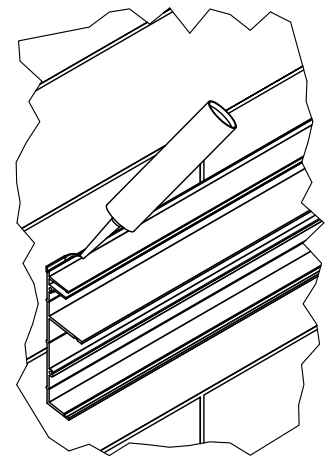
1.6

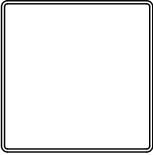
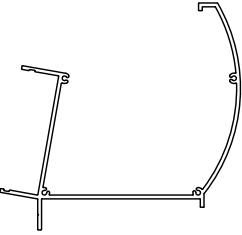
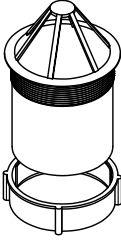
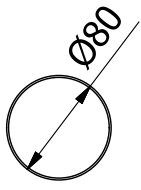
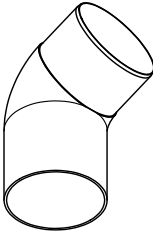

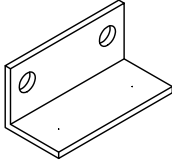



D

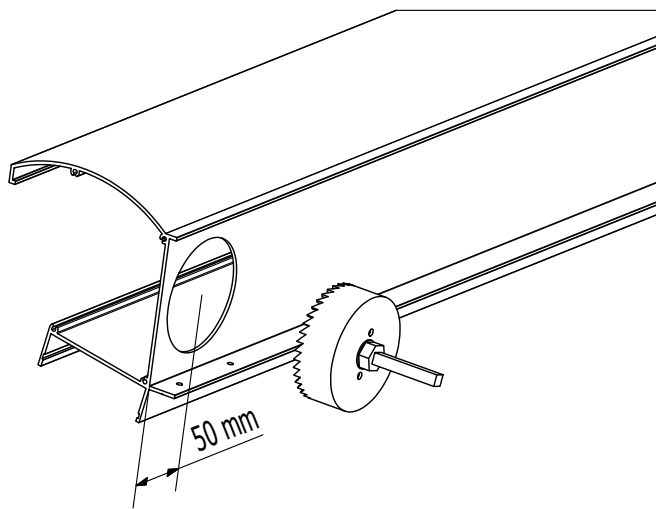


1.7

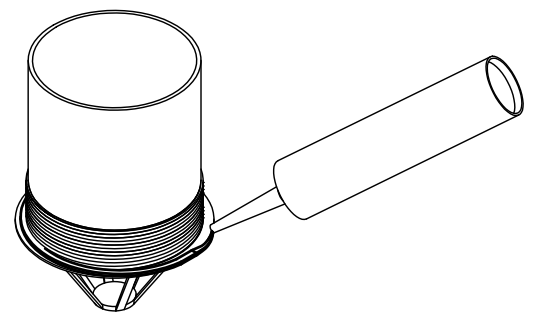


2							
xA	x1	x1	x1	x1	x2	x4	x8
							

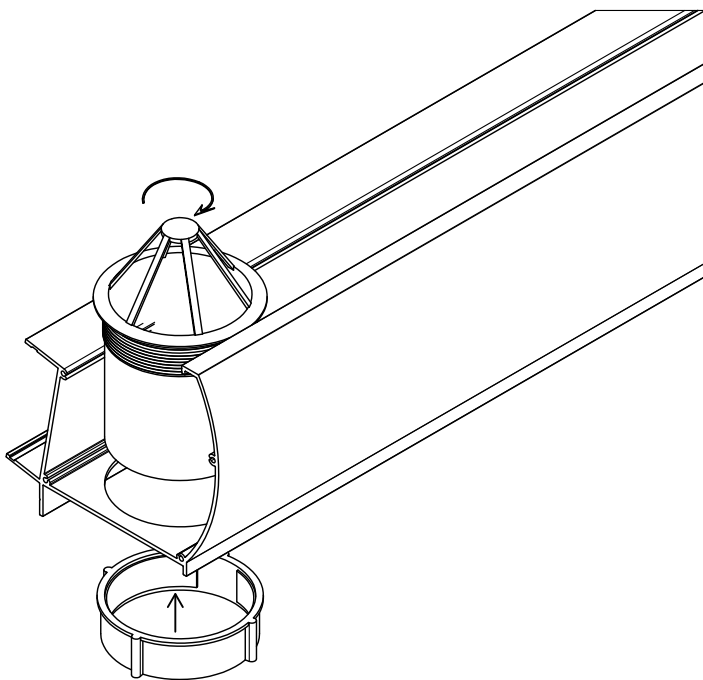
2.1

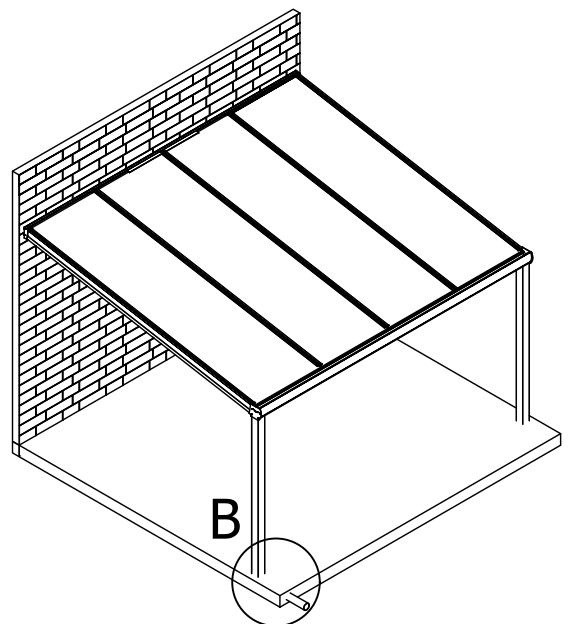
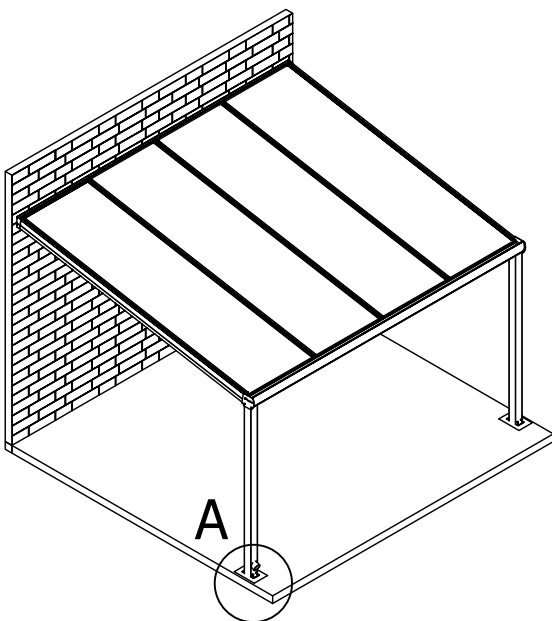
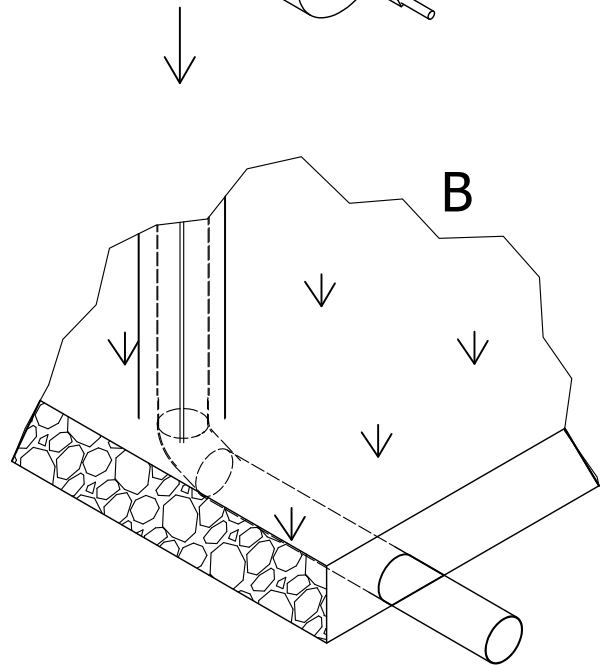
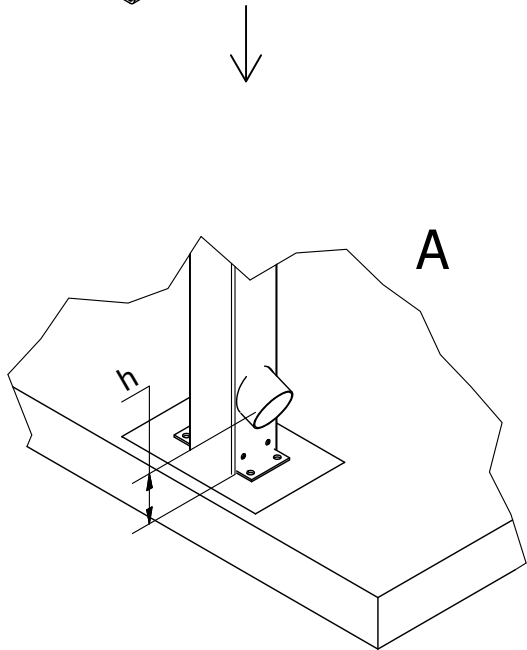
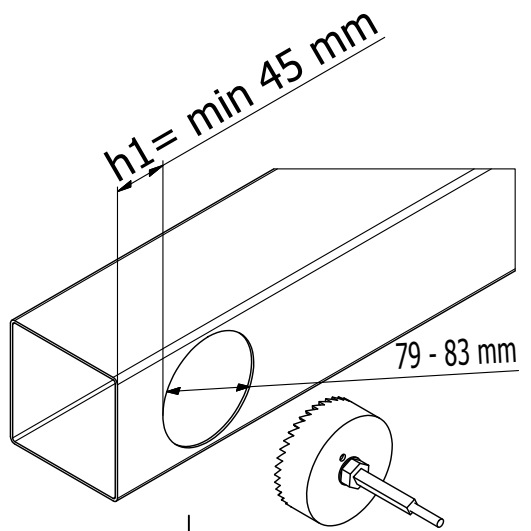
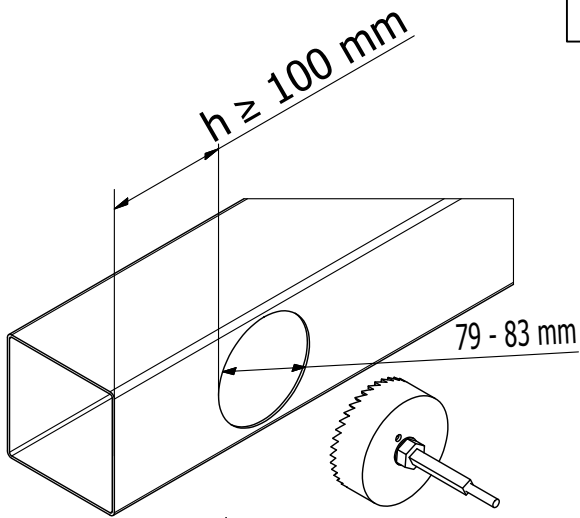


2.2

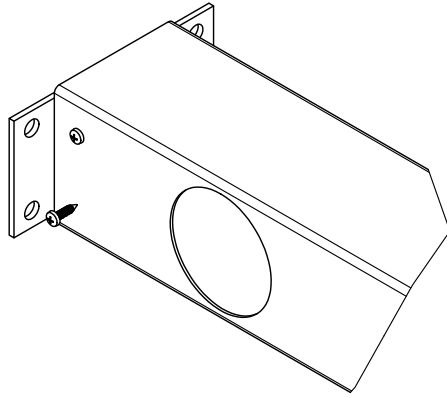


2.3

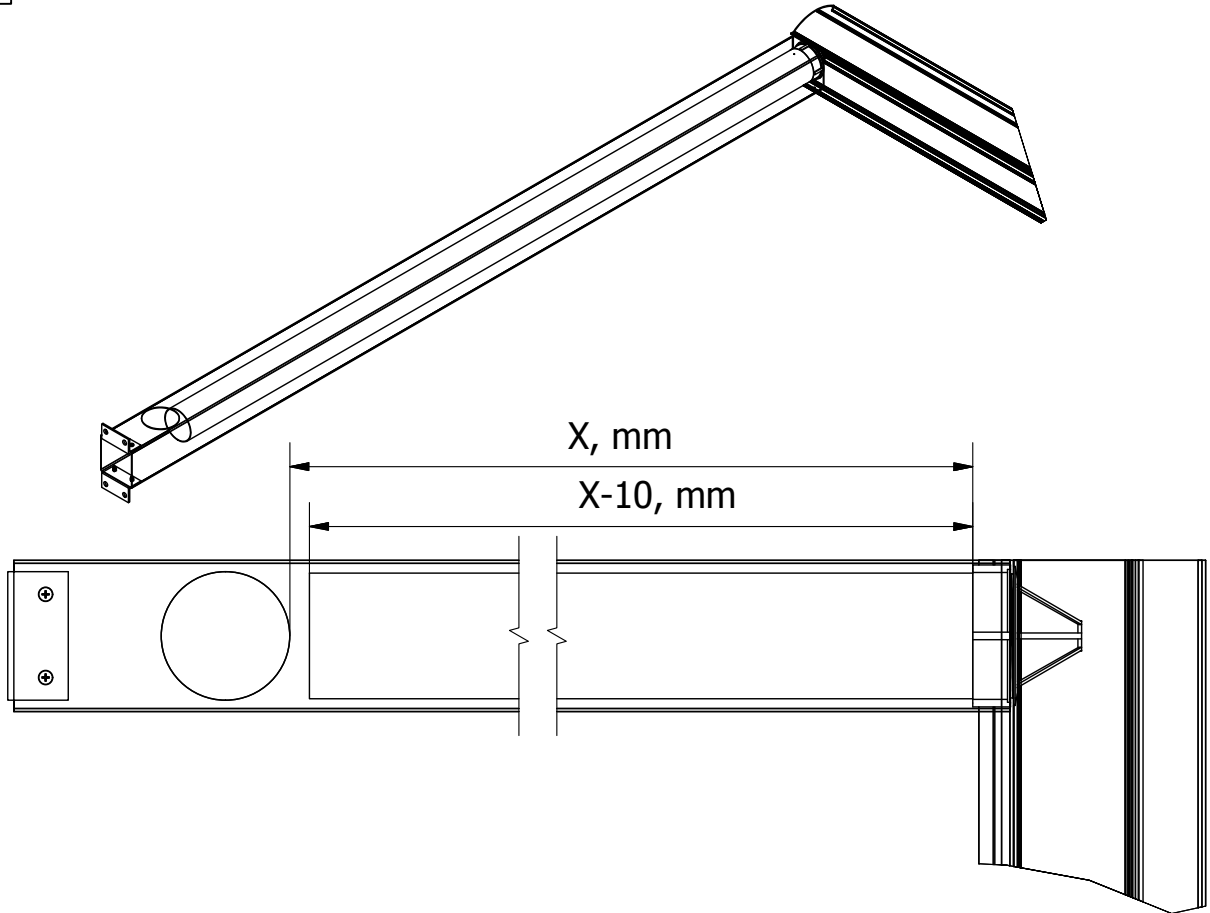




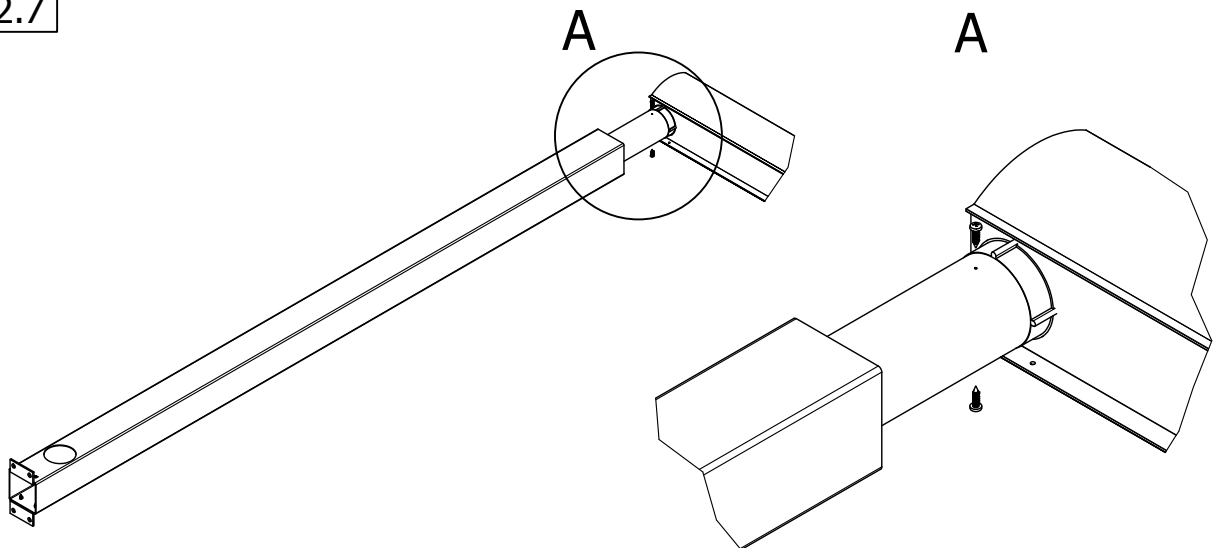
2.5



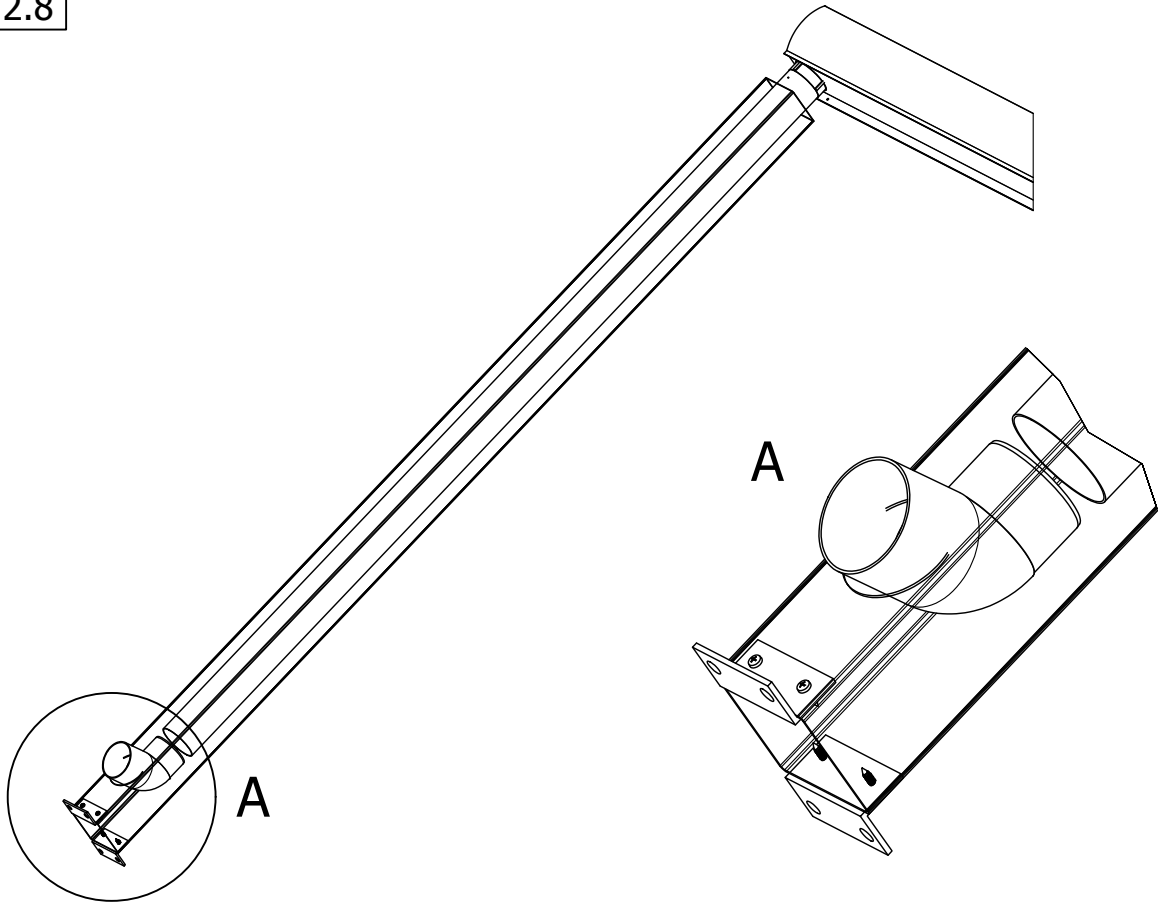
2.6



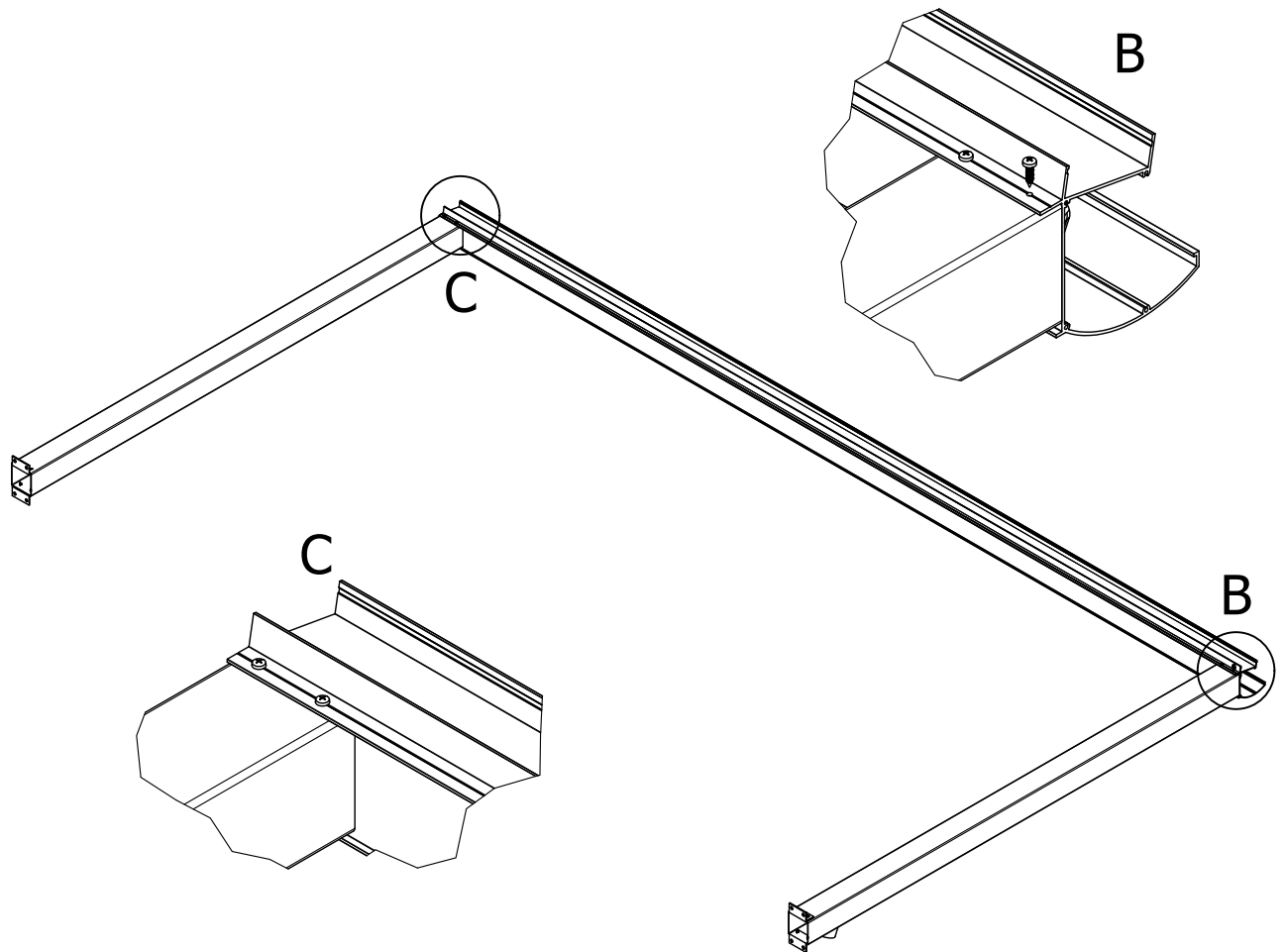
2.7

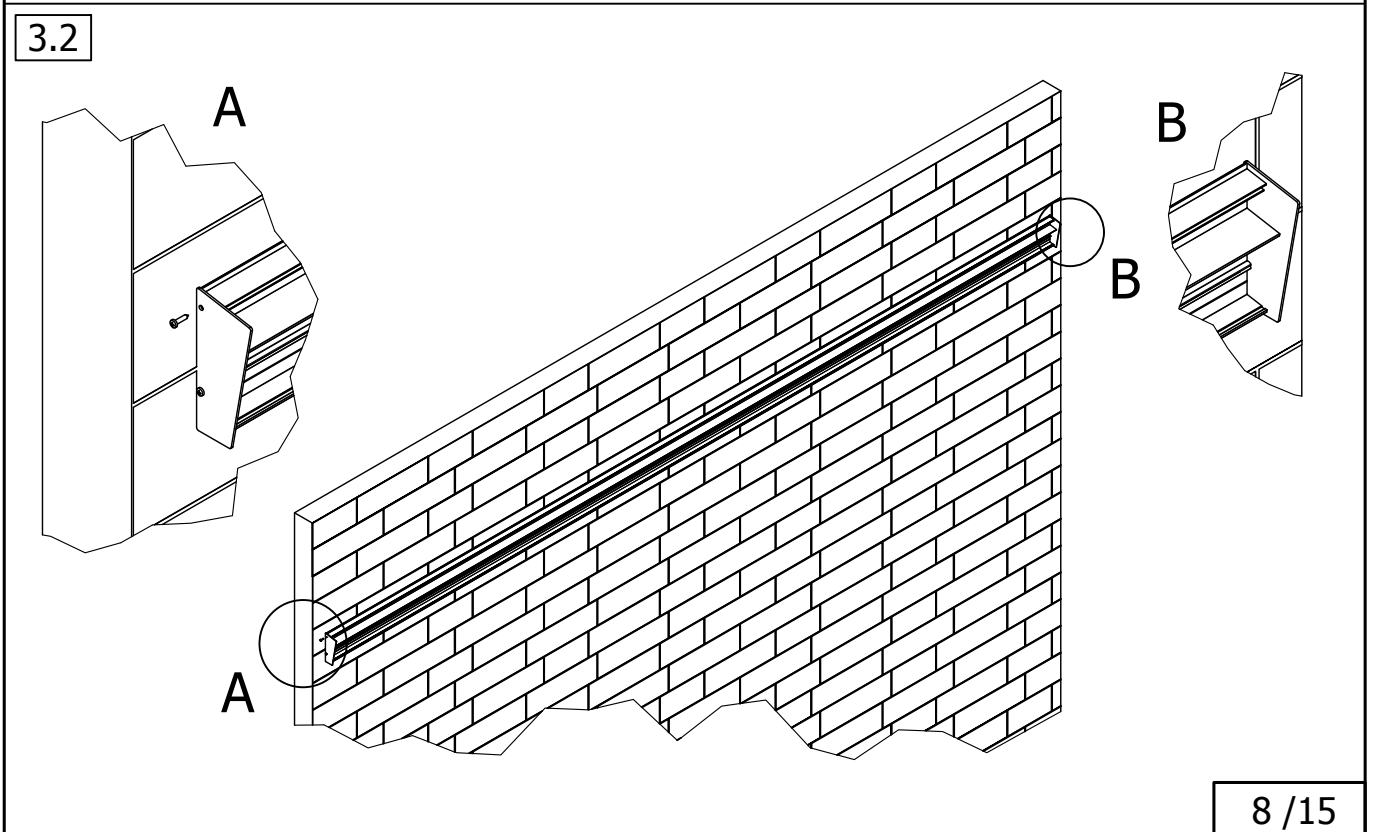
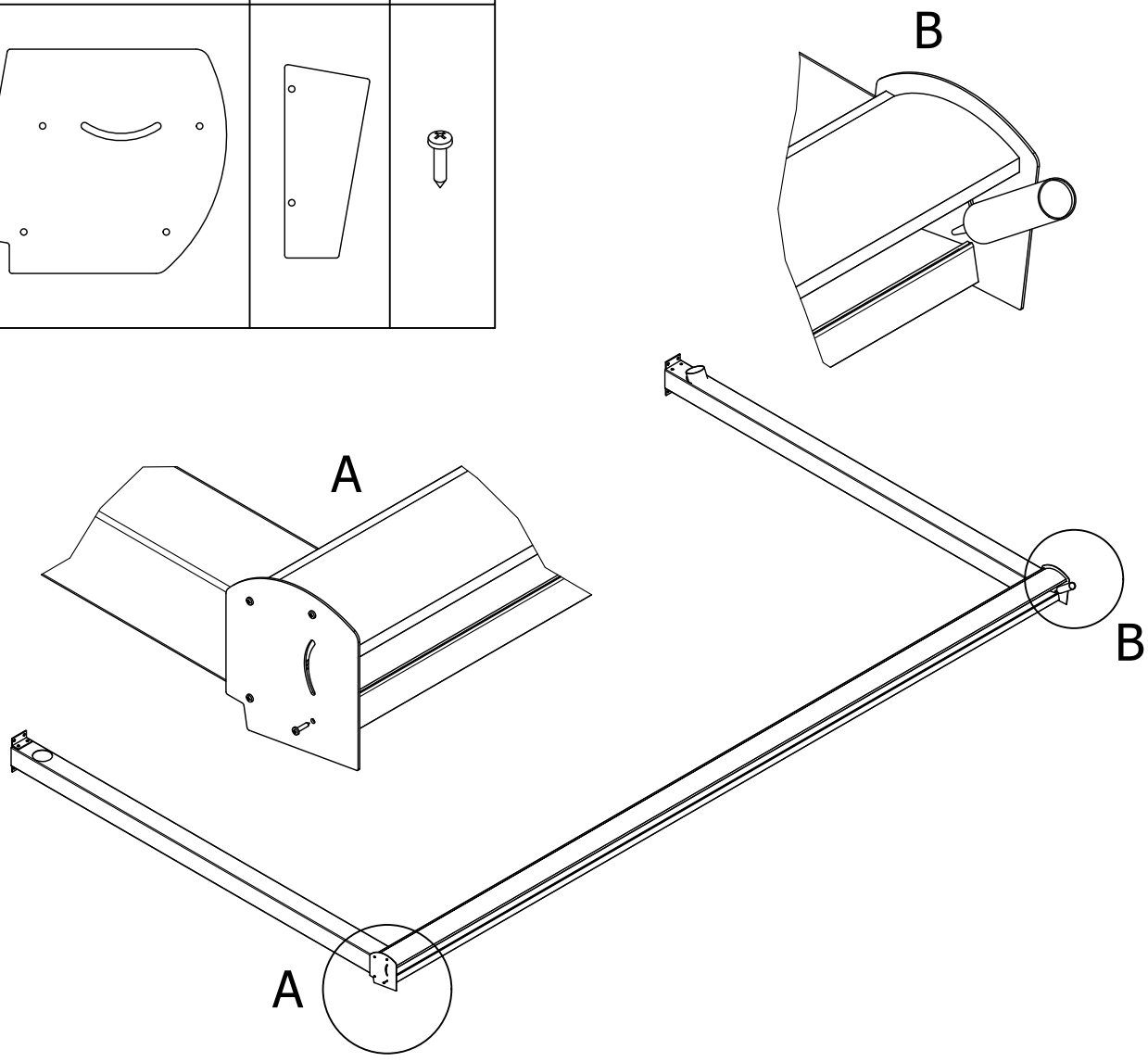
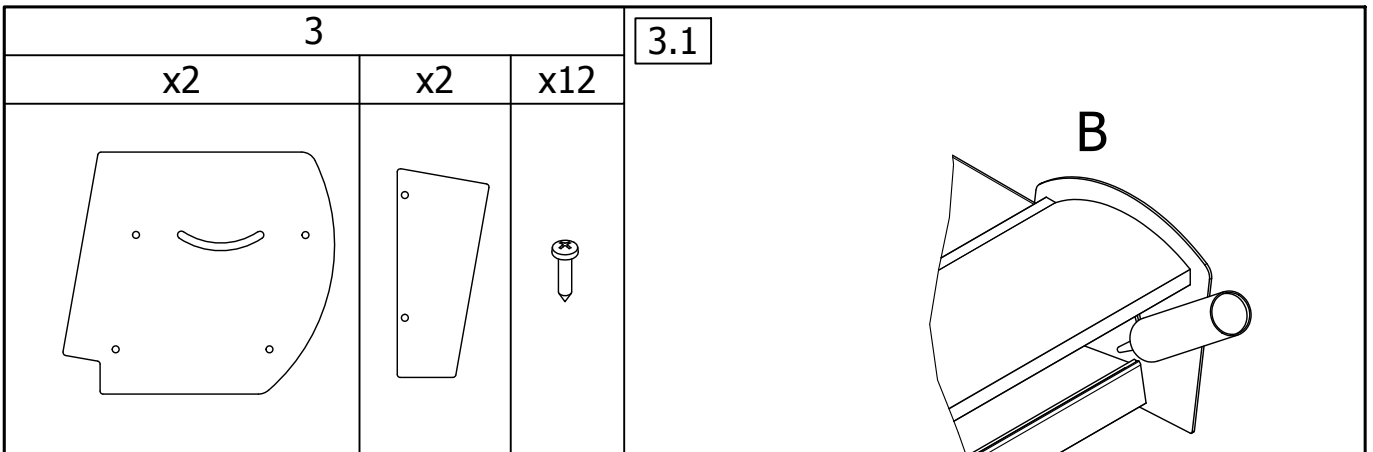


2.8

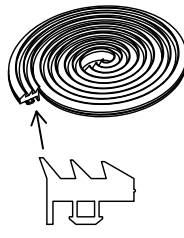
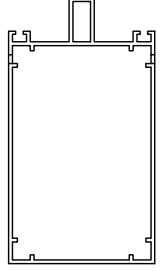
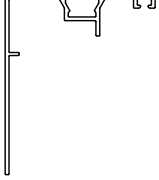

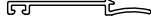



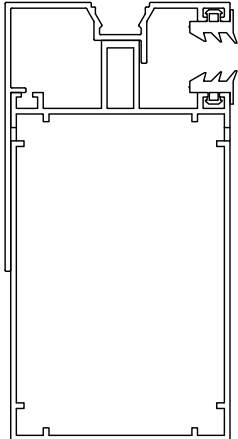
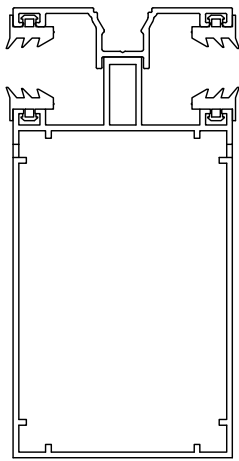
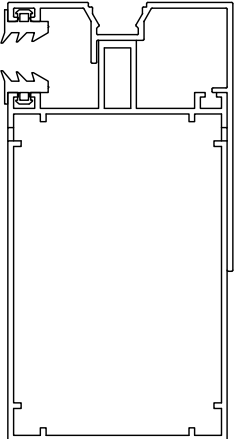
2.9

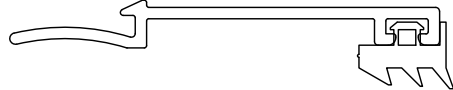



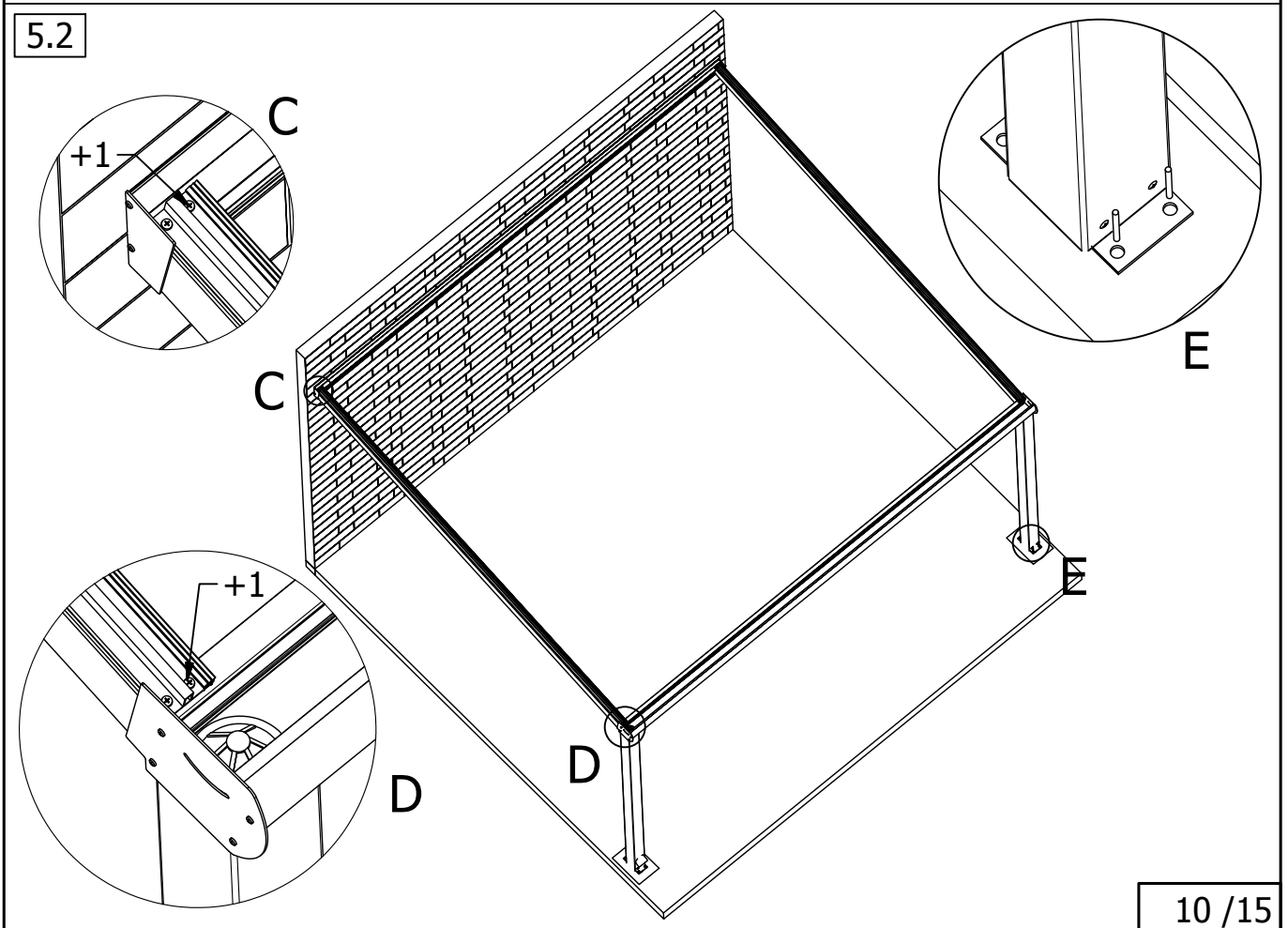
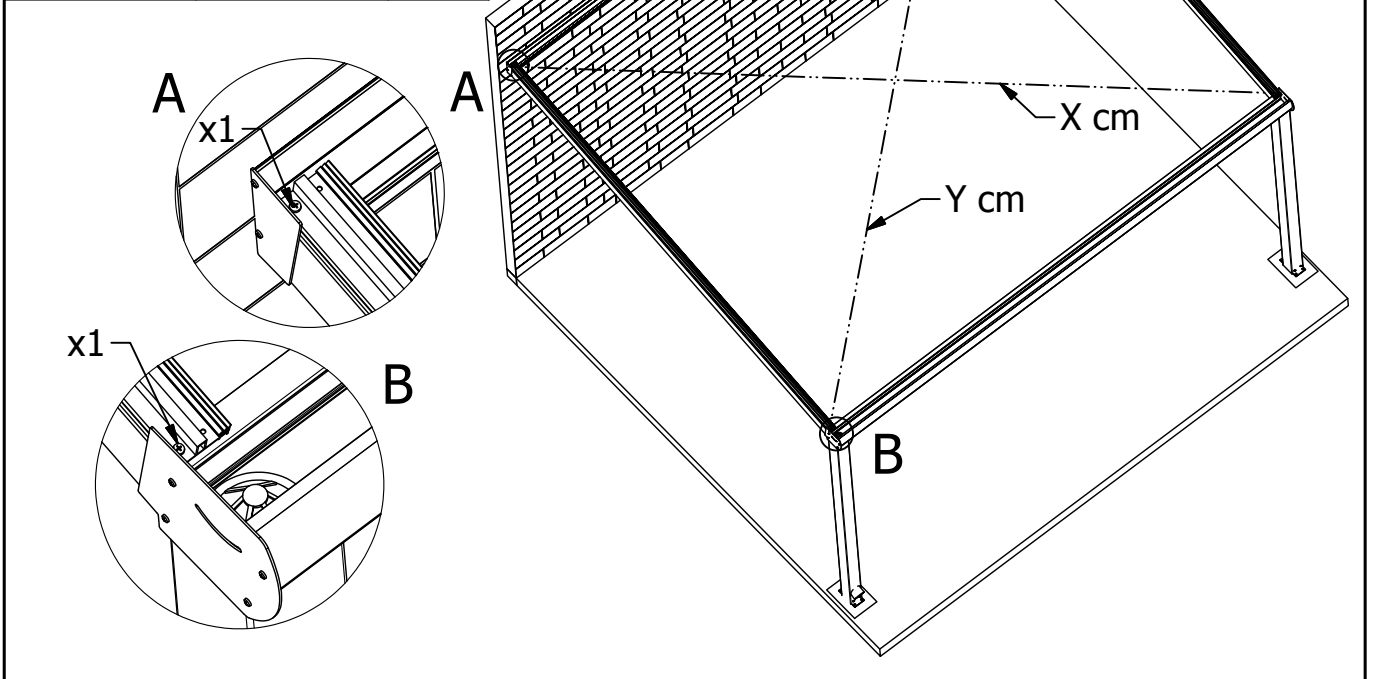
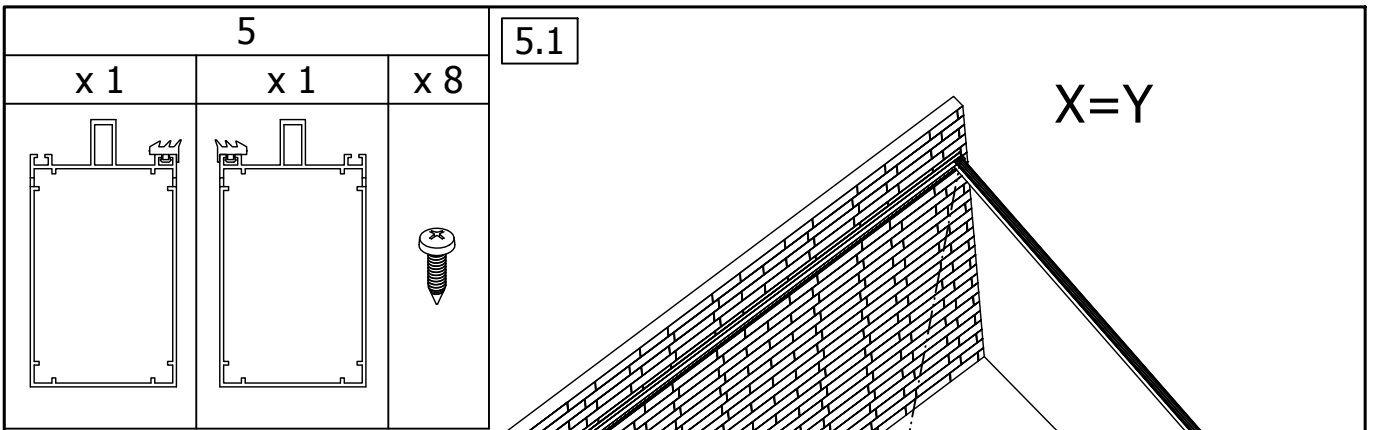




x 1	x B	x 2	x C	x D	x E
					

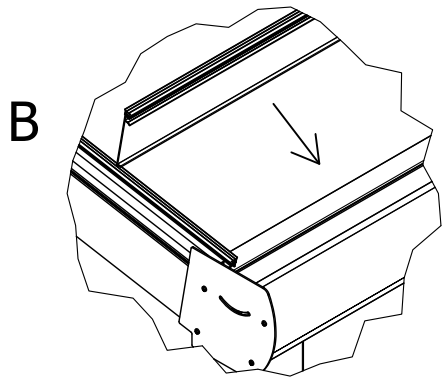
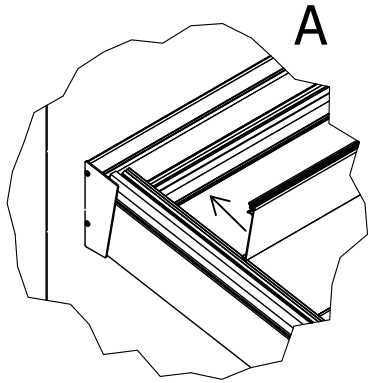
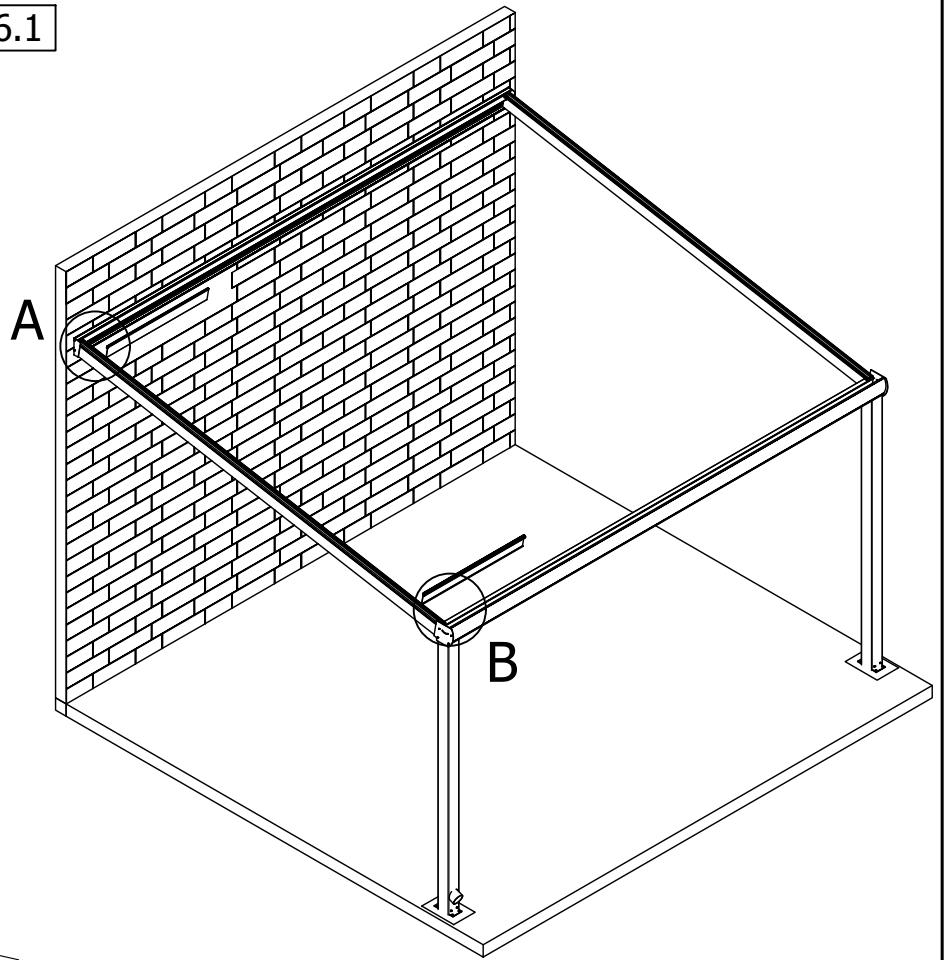
		
--	--	--

	
---	---

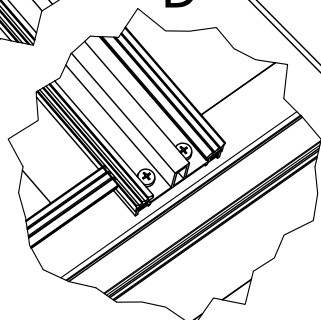
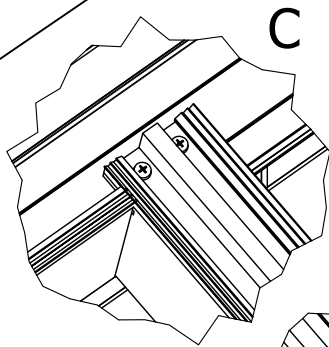
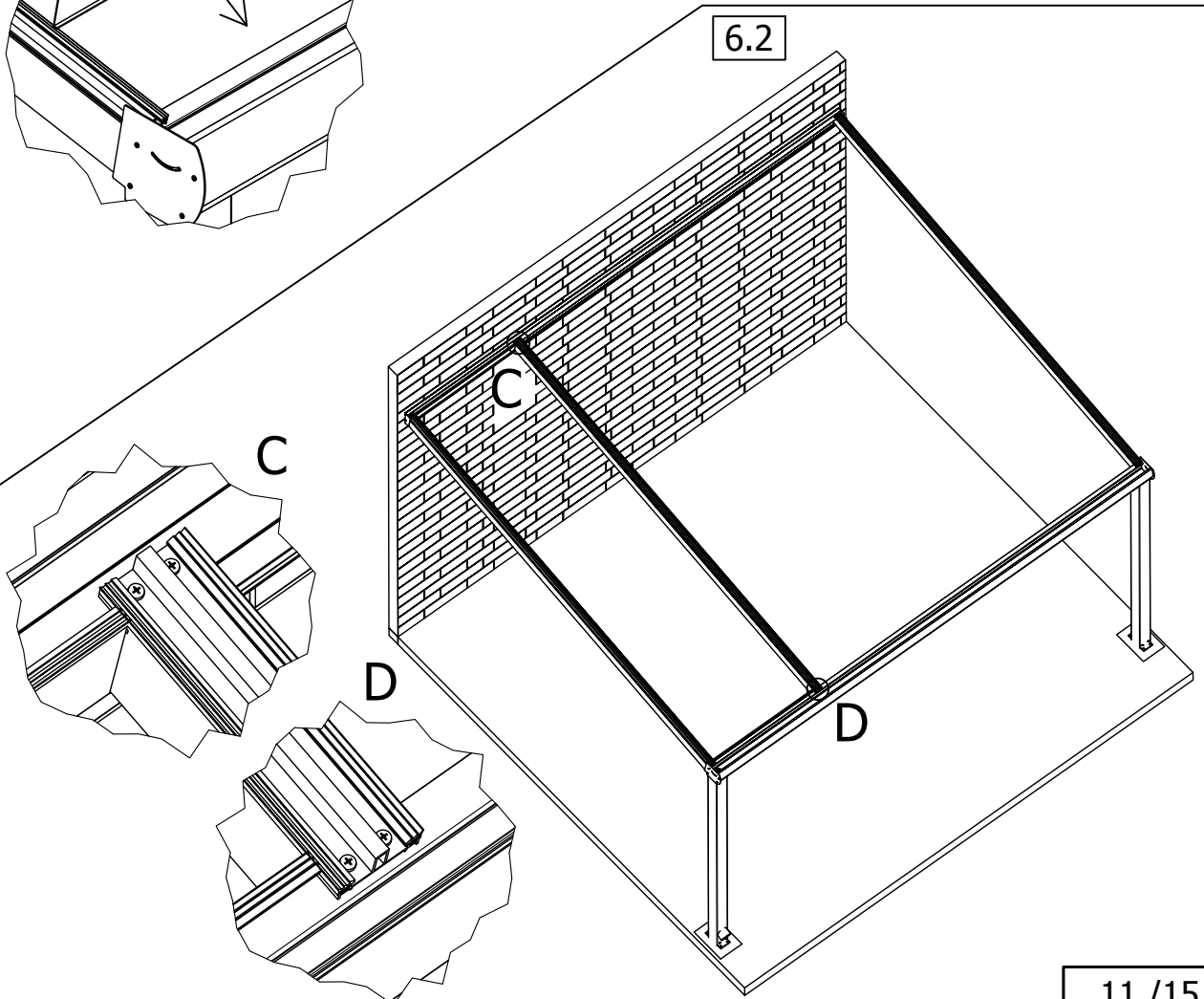


6		
x F	x H	x G

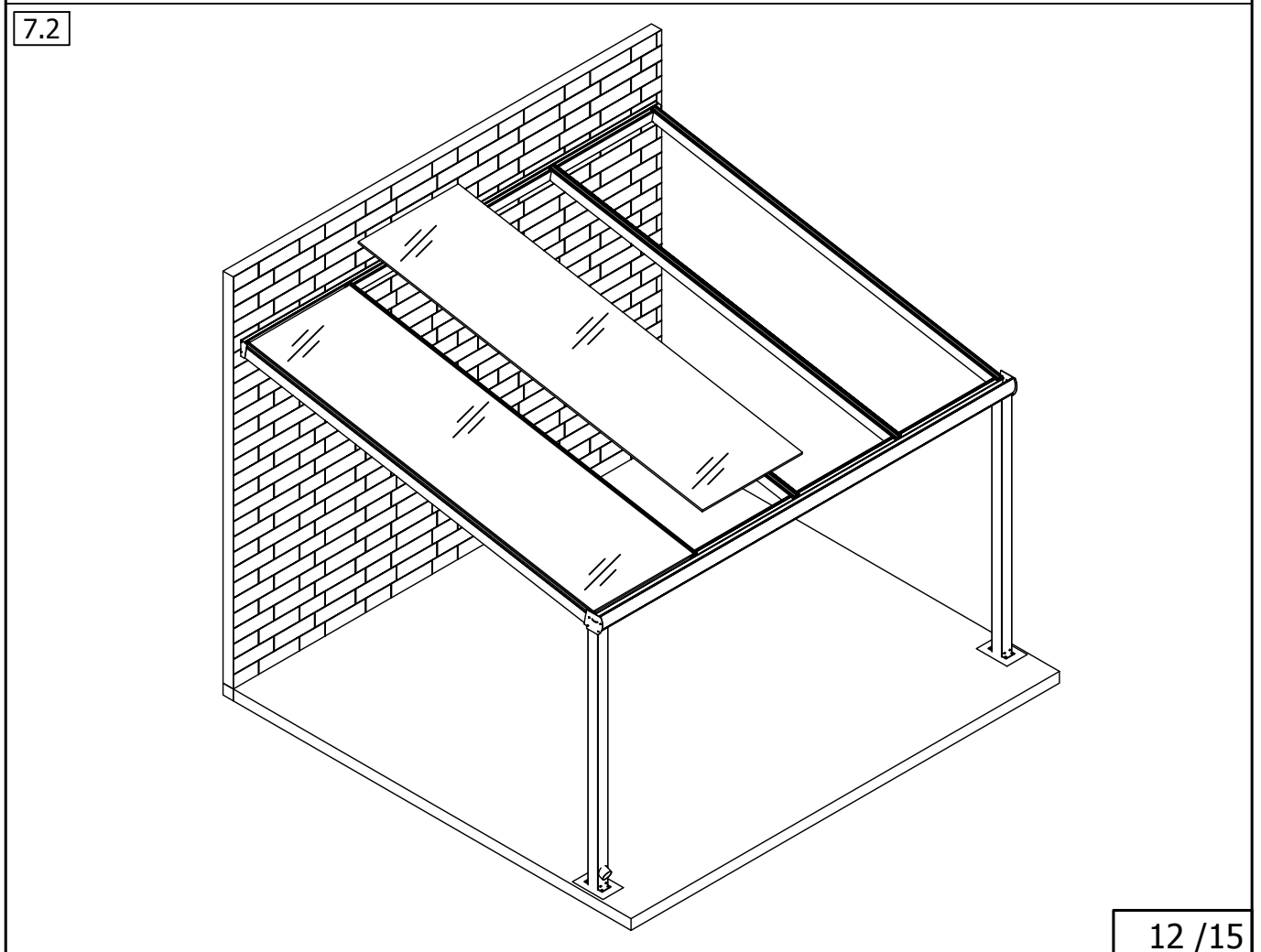
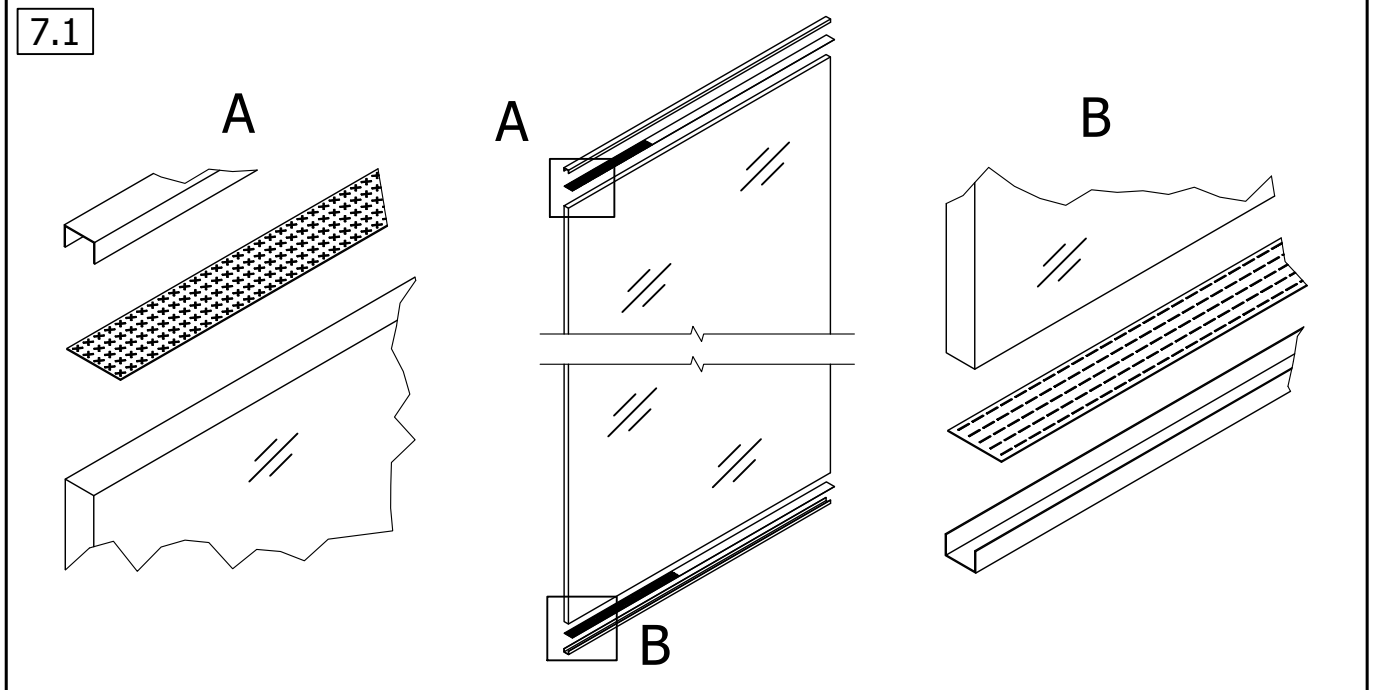
6.1



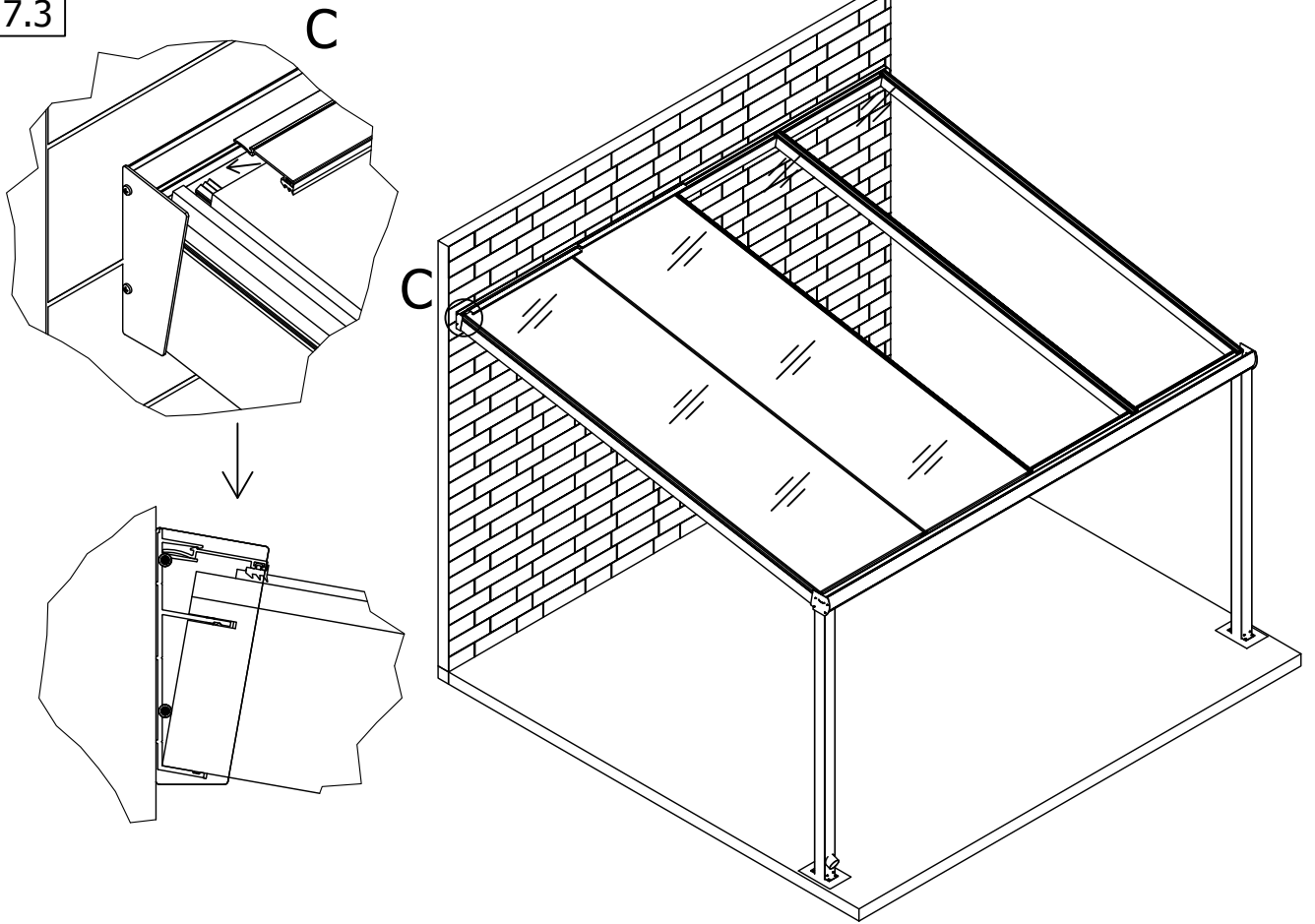
6.2



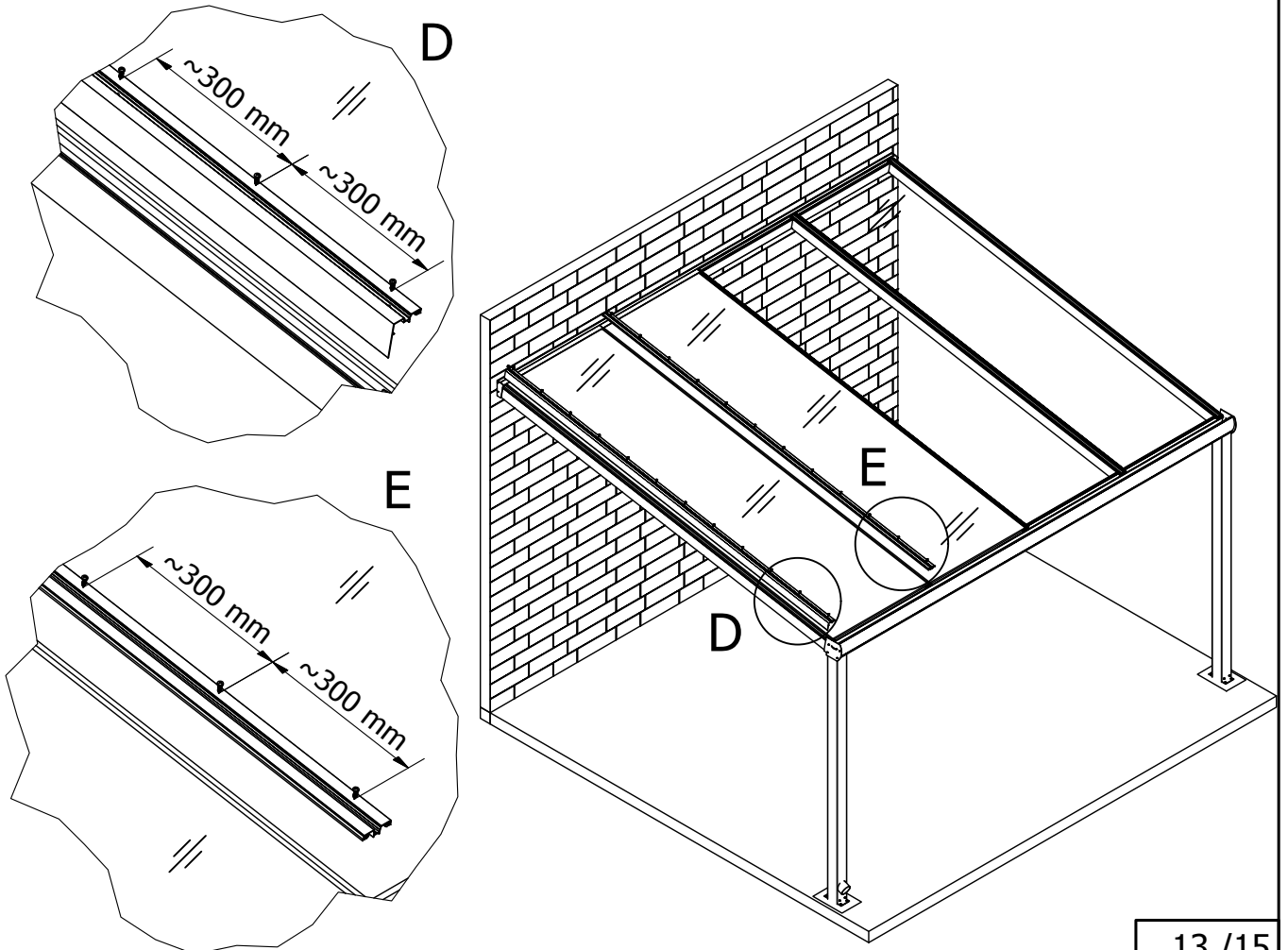
7									
xY	x1	x1	xJ	x2	xK	xL	xM	x2	xN

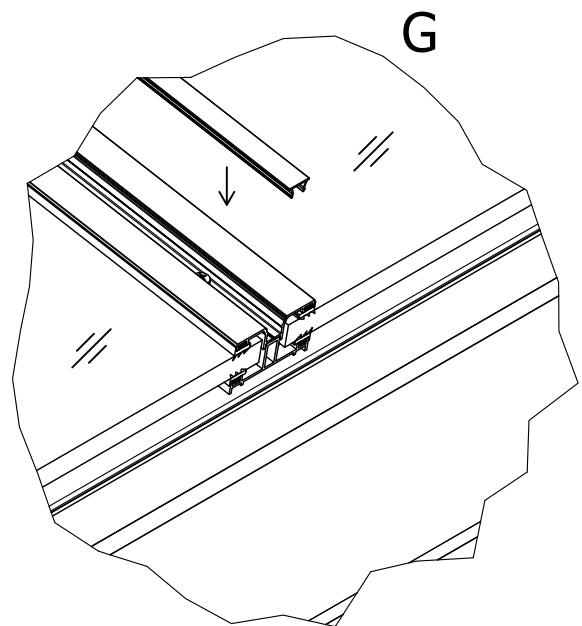
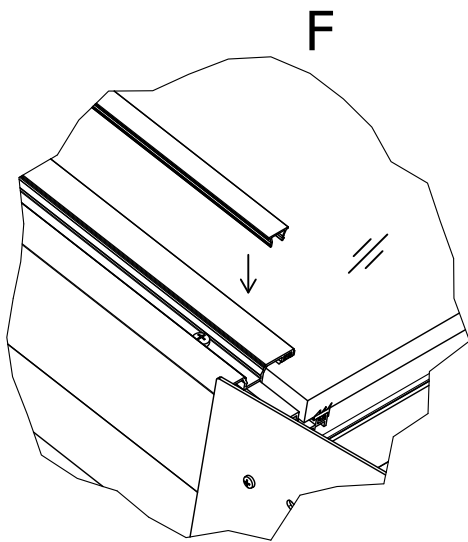
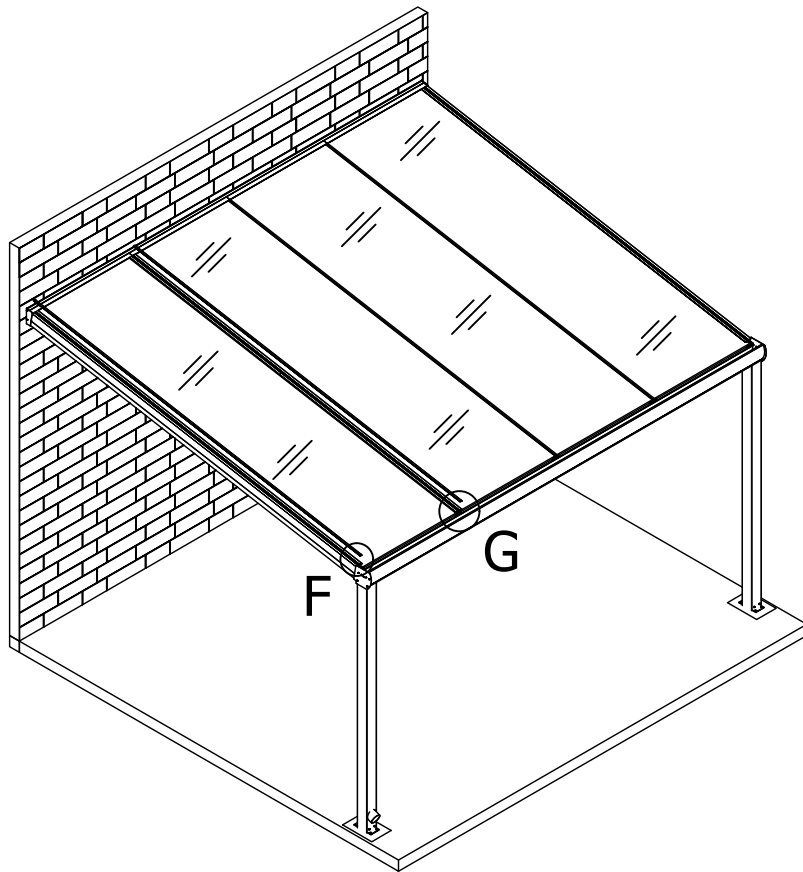


7.3



7.4





8

8.1

x R

x S

